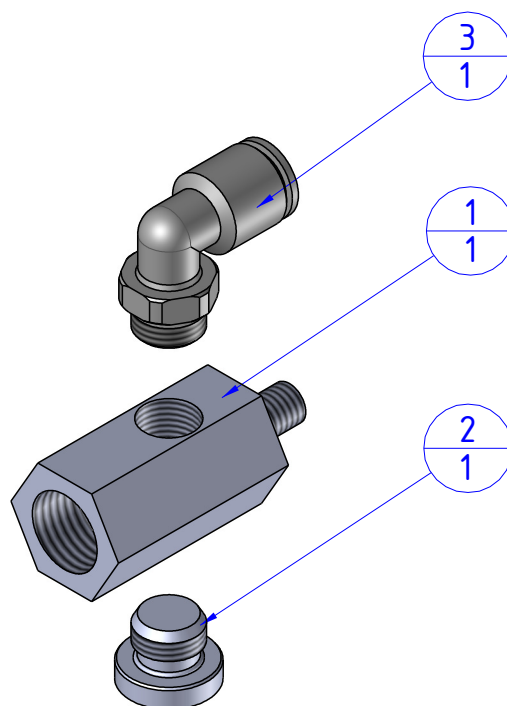
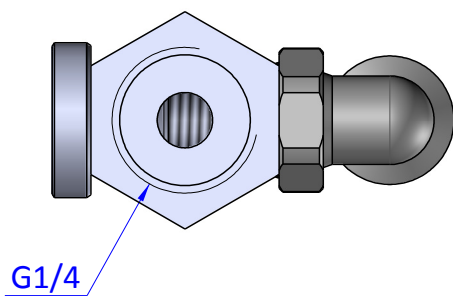
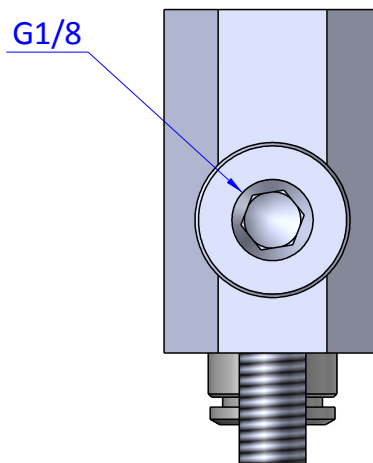
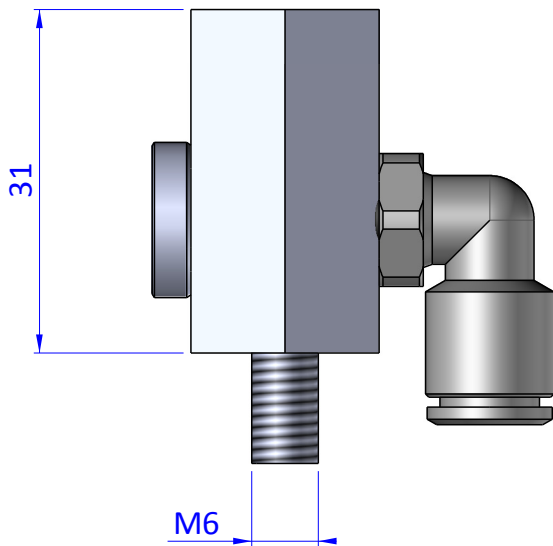

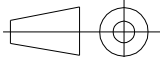


THE PROPERTY OF THE DRAWING IS ESTABLISHED BY LAW. IT IS FORBIDDEN TO PRODUCE OR SHOW IT TO THIRD PART. WITHOUT A WRITTEN AGREEMENT.

| Item | Name | Q.ty |
|------|--------------|------|
| 1 | 11-15-003 | 1 |
| 2 | CA.08.14.014 | 1 |
| 3 | CA.12.05.003 | 1 |



| | | | | | |
|---|--|--|--|--|--------------------------|
| Format A4 UNI 936-76 |  FPS FPSERVICES AUTOMATION | |  | DESIGNED FROM FPS Automation | REVIEW A |
| | GENERAL TOLERANCE UNI - ISO 2768 CLASSE f | DESCRIPTION CA.11.15.003 | | DATE 20/05/2019 | WEIGHT 0,015kg |
| | | | | CODE CA.11.15.003 | |